

SH618-100&120A

HIGH POWER LATCHING RELAY



Features:

Switching Current: 100A,120A max

Switching Voltage: 250VAC max

Switching power: 25000VA max (100A)
30000VA max (120A)

3000A peak current/10ms, contact won't be welded

6000A peak current/10ms without explosion

Dielectric Strength: 4kV/1min

(between coil and contacts)

RoHS Compliance, UC3 Approval

Dimensions (mm): 43.2*33.2*22

Coil Data (20°C)

Rated Voltage (VDC)	Pick-up Voltage (VDC)	Pulse Duration (ms) Min	COIL RESISTANCE X (1 ± 10%) Ω	
			Single Coil Latching	Double Coil Latching
9	6.75	80	40.5	
12	9	80	72	
24	18	80	288	
48	36	80	1152	
9	6.75	80	20	
12	9	80	36	
24	18	80	144	
48	36	80	576	

Coil Power Consumption: Single coil 2.0W, Double Coil 4.0W

Contact Specifications

- Contact Form: 1A (Release), 1B (Operate)
Default Form
- Contact Material: AgSnO₂
- Contact Resistance:
≤2 mΩ (1A/6VDC)

Characteristics:

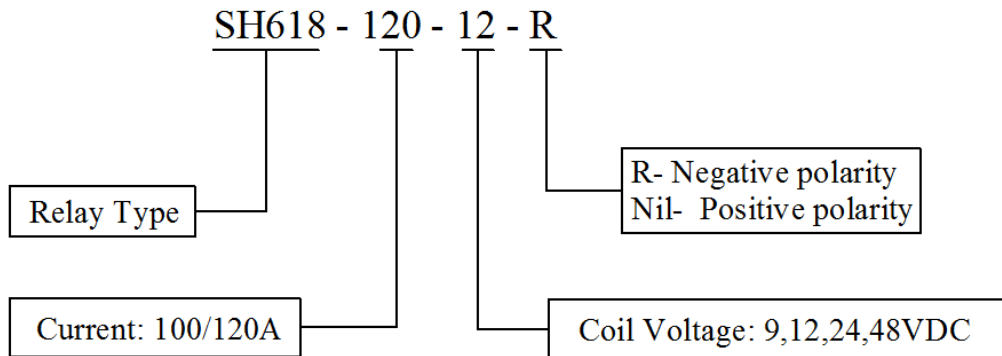
AMBIENT TEMP.	-40°C ~ +85°C	
AMBIENT HUMIDITY	≤75%RH	
VIBRATION RESISTANCE	10-55Hz, 0.5mm (Double Amplitude)	
SHOCK RESISTANCE	98m/s ²	
RELATIVE HUMIDITY	45%~85%	
INSULATION RESISTANCE	1000 MΩ(500VDC)	
DIELECTRIC STRENGTH	BETWEEN CONTACTS	2000 VAC 50/60Hz (1 minute)
	BETWEEN CONTACT & COIL	4000 VAC 50/60Hz (1 minute)
Electrical Life	≥1 × 10 ⁴ OPS	
Mechanical Life	≥5 × 10 ⁵ OPS	
PICK-UP TIME (At rated Voltage):	≤50ms	
RELEASE TIME (At rated Voltage):	≤50ms	
Bounce Time:	≤2ms	
Construction:	DUST protected	
N.W. per unit:	Approx. 75g	

NOTICE:

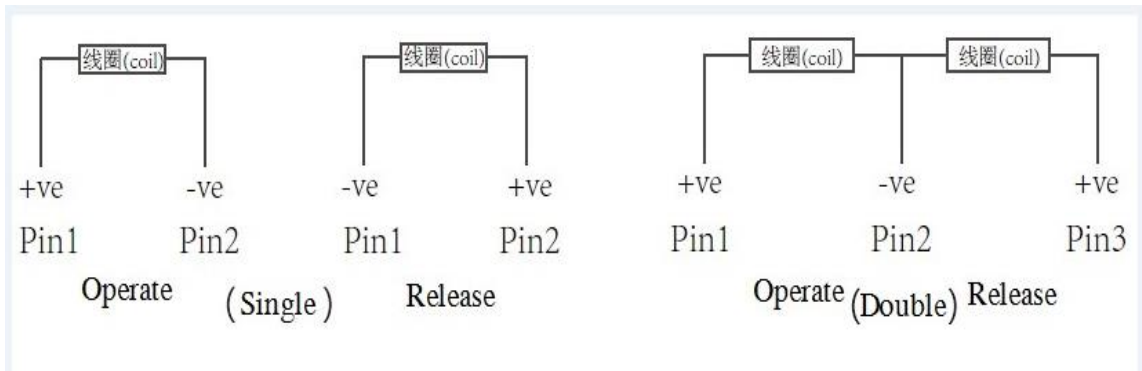
1. Relay is on the "release" or "operate" status when being released from stock, with the consideration of shock risen from transit an relay mounting, relay would be changed to "operate" or "release" status, therefore, when application (connecting the power supply), please reset the relay to "operate" or "release" status on request.

2. In order to maintain "operate" or "release" status, energized voltage to coil should reach the rated voltage, impulse width should be 5 times more than "operate" or "release" time. Do not energize voltage to "operate" coil and "release" coil simultaneously. And also long energized time (more than 1 min) should be avoided.

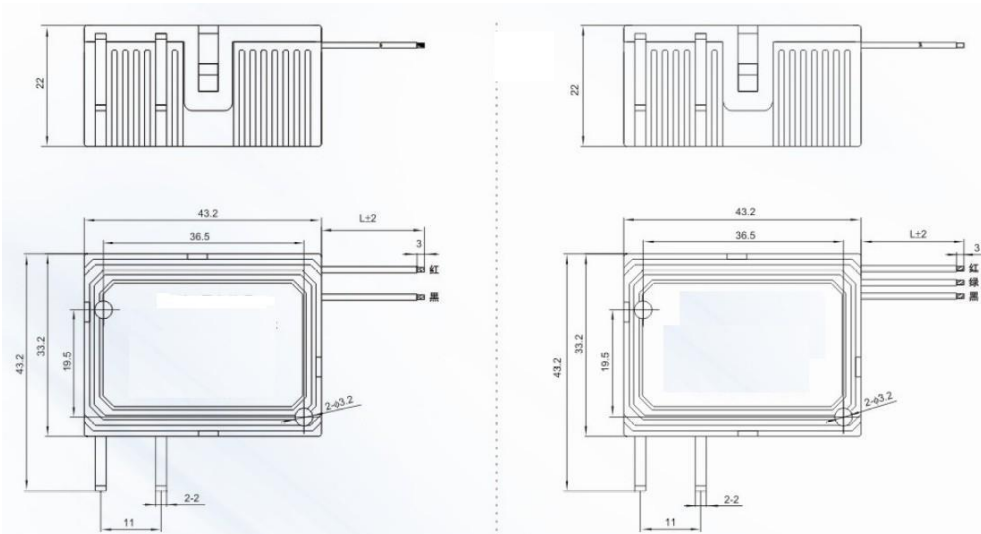
Ordering Instruction:



Wiring Diagram



Outline Dimensions (mm):



Notice: Sample tested during initial release and after any redesign or process change that may affect parameter. Specification is subject to change without notice. Please ask for the newest product specification at any moment.